

JNS-NS536XPOE

5MP HD Network Intelligent IR High Speed PTZ Dome Camera

Features :

- 5MP Full Real-time HD Low Code Stream with High Quality Image
- 3D High Precision PTZ Position Control
- Dynamic ROI Setting
- Excellent HLC
- IR Distance: 100 meters
- Working Temperature : -10°C ~ + 60°C
- Salt-Spray Resistance , Anti-Corrosion
- IP67





Specifications:


Model	Model No.	JNS-NS536XPOE
	Type	5MP HD Network Intelligent IR High Speed PTZ Dome Camera
Lens	Optical Zoom	36x
	Focus Length	F5.6 ~ 201.6mm
	Aperture	Fw1.6 ~ Ft3.4
	Horizontal FOA	59.8w x 3.0t
	Zoom Speed	≤2.7s
Module	Image Sensor	1/2.7 inch XMI350 SONY sensor
	Horizontal Resolution	>2000TVL
	Min. illumination	Color : 0.01Lux @(F1.2,AGC ON),OLux with IR B/W : 0.001Lux @(F1.2· AGE ON) · OLux with IR
	Max. Frame Rate	5MP
	Frame Rate	25 FPS
	Focus Mode	Auto Focus, ZF (Zoom Trigger AF), Manual Focus(MF)
	4A Control	Auto White Balance, Auto Gain Control, Auto Exposure, Auto Iris Correction (AWB/AGC/AE/AIC)
	WDR	Support
	BLC	Support
	HLC	Support
	Electronic Shutter	1/10000s to 1/25s
	Day/Night Mode	SUPPORT IR-CUT
	ICR Switch	Auto, Timing, Alarm Trigger
Video & Image	Compression	Video : H.264/H.265/MJPEG Audio : G.711 / AAC / MP2
	Code Stream	Video : 32Kpbs~8Mpbs Audio : G.711(64Kpbs) / MP2(16kHz 16bit 32kpbs)
	3D DNR	Support
	Image Effects	Rotation, Mirror, Latitude-longitude Image Mode, Self-defined Image Mode
	OSD	Multiple Zone OSD, Support Date, Time, Scene Name, Self-defined OSD(5 lines, More Characters per Line)
PTZ	Horizontal Angle	0°~360°
	Vertical Angle	-15°~90° , 180° automatically
	Horizontal Speed	Keyboard Control 0.1°~150°/s , Preset 150°/s
	Vertical Speed	Keyboard Control 0.1°~90°/s , Preset 150°/s
	Preset	255
	Preset Cruise	8 Cruise Groups (Support to Add 16 Presets for Each Group)
	Pattern Scan	4 Paths, Support 10 Minutes Recording for Each Path
	Line Scan	4 Paths
	Power Off Memory	Support
	Watch Function	Support, Auto to Watch when PTZ Keep on Free State After Schedule Time
IR	3D Position	Support
	Long Focus Speed Limit	Limit the Control Speed Rate of PTZ when the PTZ Zoom to Long Focus
	Azimuth display	TBD
	Timing Cruise	Timing Invoke Preset, Pattern Scan Path, Preset Cruise Grouped
Intelligent Function	IR Leds	Array IR Leds
	IR Distance	≥100m
	IR&Zoom Sync.	IR Light and Lens Zoom Synchronously. Auto Adjust the Brightness & Angle of IR Light According the Magnification and Distance, Make Image Achieve the Best Effective
Network	Defog	Support
	Intelligent Alarm	Intelligent Motion Detection, Sensor Linkage Alarm, Lens Occlusion, etc.
	Dynamic ROI	Dynamic ROI Setting, Support to Set Fixed Area or Dynamic Tracking Separately
	Other Function	One Key restore Factory Setting, Anti-Flicker, Three Code Streams, Heartbeat, Image Rotation, Privacy Mask, Watermark Technology, Set Access Port
	Protocol	IPv4, TCP/IP, UDP, HTTP, DHCP, RTP/RTCP, FTP, UPnP, DDNS, NTP, IGMP, ICMP
	Compatible Protocol	ONVIF, GB/T 28181
Network	Security	Password Protect, Multi-user Access
	User Maintenance	Able to Remote Upgrade, Realize Remote Maintenance
	Fault Detection	Network Disconnection Detection, IP Conflict Detection,
	Log Management	Support to Record and Query Log Management, Operation Log, Alarm Log and Abnormal Log

	API Integrated	Provide SDK, Mobile Application App and Matching NVR and CMS Management Platform Software	
Interface	Communication Interface	RJ45 10M/100M Adaptive Ethernet Port	
	Alarm Input	Support 2ch Alarm Input	
	Alarm Output	Support 1ch Alarm Output	
	Analog Video Output	1.0V[p-p] / 75Ω , BNC	
	Audio	Input: 3.5mm x 1 Impedance 35kΩ; Output : 3.5mm x 1 Impedance 600kΩ , Range 2V [p-p]	
	Power Interface	AC 24V	
General	Working Temperature	-10°C~+60°C	
	Working Humidity	Humidity≤90%	
	Protection Grade	IP67 , TVS 4000V Lightning Protection、 Anti Electric Surge、 Anti Suddenly Electric Wave , accord with GB/T17626.5 Four Level Standard, Salt-spray Resistant & Anti-corrosion	
	Power Supply	XPOE (12V)	
	Weight	5KG	
	Dimension	Standard 38*38 positioning hole	
Optional	PoE	Optional	
	Wiper	Not Included, Optional	
	Bracket		* Wall Mount Bracket Optional : AS-MK-WMB/8M * Ceiling Mount Bracket Optional : AS-MK-PMB/8M * Pole Holder Optional : AS-MK-PMA/8M * Corner Holder Optional : AS-MK-CMA-I/8M * Outer Wall Foot Installing Optional : AS-MK-CMA-O/8M * External PoE Box Optional : AS-MK-PB/8M

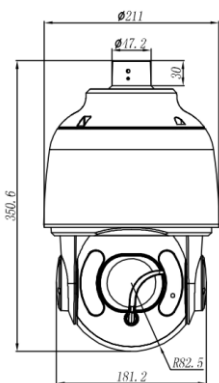
Suitable for Airport, Station, Museum, Bank, Highway, Wharf, City Surveillance, etc Large Public Places.

Accessories

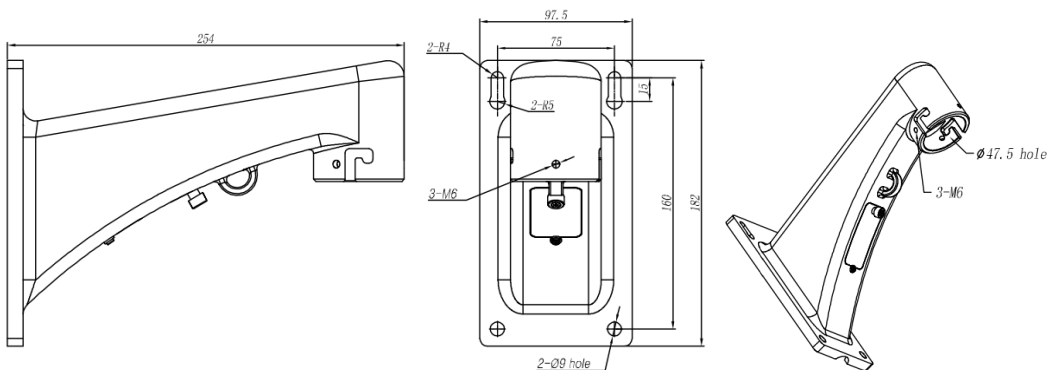
<p>Wall Mount Bracket Kits AS-MK-WMB/8M (Safety Rope Included)</p>		<p>Use for Wall Installation</p> <p>Net Weight: 0.5kg</p> <p>Not Included in the Standard Package, Sell Separately 包括安全绳与壁装支架</p>
<p>Ceiling Mount Bracket Kits AS-MK-PMB/8M</p>		<p>Use for Ceiling Installation</p> <p>As Show on the Left Picture, Extension Tube Not Included</p> <p>Net Weight:0.3kg</p> <p>Not Included in the Standard Package, Sell Separately</p>
<p>Pole Holder AS-MK-PMA/8M</p>		<p>Use for Pole Installation</p> <p>Net Weight: 1.4kg</p> <p>Not Included in the Standard Package, Sell Separately</p>
<p>Corner Holder AS-MK-CMA-O/8M</p>		<p>Use for Corner Installation</p> <p>Net Weight: 2.25kg</p> <p>Not Included in the Standard Package, Sell Separately</p>

<p>External PoE Box AS-AP-PoE/8M</p>		<p>POE Standard: PoH, IEEE802.3at Type 1(af) and Type 2</p> <p>Speed Rate: 100/1000Mbps</p> <p>Cable Type:Cat 5e/Cat6/Cat6e/Cat7</p> <p>Power Supply: Output: DC54V 2.77A; Input: AC110~220V</p> <p>Power Consumption: 80W</p> <p>Transformation Rate: 90 %</p> <p>Isolation: 1500V DC</p> <p>Polarity: 1245 (+), 3678 (-)</p> <p>Protection Function: Over-current Protection, Short-circuit Protection</p> <p>Interface: 1X RJ45: Data Input, 1XRJ45: Data+Power Output, 1X DC Plug Input</p> <p>Working Temperature:-40℃~+60℃</p>
<p>Power Adapter AS-AP-GB/8M</p>		<p>AC Power Adapter</p> <p>Input: 220V ~50Hz</p> <p>Output: AC 24V</p> <p>Not Included in the Standard Package, Sell Separately</p>

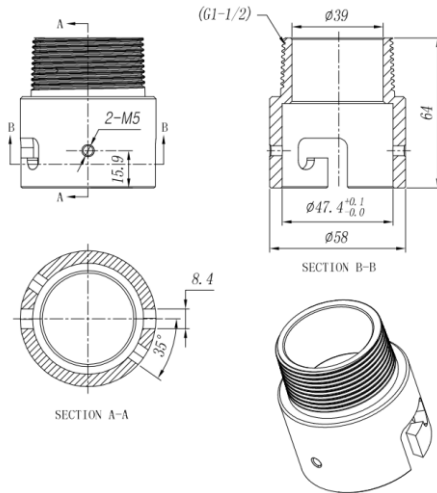
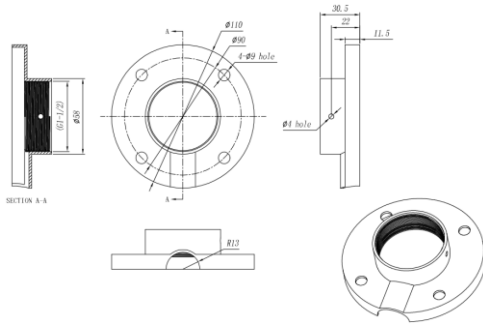
Dimension (unit : mm)



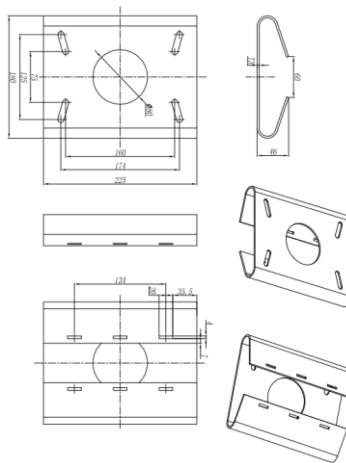
Wall Mount Bracket:



Ceiling Mount Bracket:



Pole Holder:



Corner Holder:

